

## Toggle clamp spindle assemblies

Steel / Stainless Steel, with rubber pressure pad

### SPECIFICATION

#### Types

- Type **A**: Flat spindle tip
- Type **B**: Rounded spindle tip

#### Version in Steel ST

Spindle  
Steel zinc plated, blue passivated

Hexagon nuts ISO 4035  
Steel zinc plated, blue passivated

#### Version in Stainless Steel NI

Spindle  
Stainless Steel AISI 304

Hexagon nuts ISO 4035  
Stainless Steel AISI 304

Pressure pad  
Rubber, Neoprene (CR)

- 85 Shore A ≈
- vulcanized
- black

### INFORMATION

The two hexagon nuts are included parts of the order.

### TECHNICAL INFORMATION

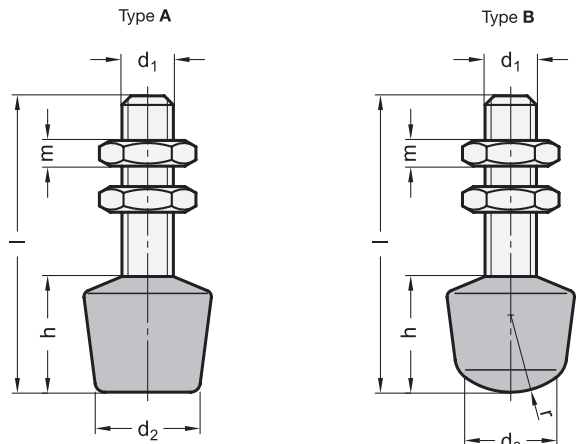
- Stainless Steel characteristics (see page A26)
- Elastomer characteristics (see page A32)

\* Complete with type index of the toggle clamp spindle assemblies

A	B
Flat spindle tip	Rounded spindle tip

### GN 708.1

Description	d1	l	d2	d3	h	m	r	
GN 708.1-M4-33-*-ST	M 4	33	8	8	10	2.2	6	6
GN 708.1-M4-43-*-ST	M 4	43	8	8	10	2.2	6	7
GN 708.1-M5-45-*-ST	M 5	45	10	9	11	2.7	8	10
GN 708.1-M5-55-*-ST	M 5	55	10	9	11	2.7	8	11
GN 708.1-M6-35-*-ST	M 6	35	13	12	12	3.2	10	13
GN 708.1-M6-55-*-ST	M 6	55	13	12	12	3.2	10	16
GN 708.1-M6-65-*-ST	M 6	65	13	12	12	3.2	10	18
GN 708.1-M8-43-*-ST	M 8	43	16	14	18	4	12	29
GN 708.1-M8-68-*-ST	M 8	68	16	14	18	4	12	35
GN 708.1-M10-50-*-ST	M 10	50	20	18	21	5	15	52
GN 708.1-M10-77-*-ST	M 10	77	20	18	21	5	15	60
GN 708.1-M10-97-*-ST	M 10	97	20	18	21	5	15	74
GN 708.1-M12-100-*-ST	M 12	100	25	23	24	6	18	111
GN 708.1-M12-130-*-ST	M 12	130	25	23	24	6	18	132



### GN 708.1-NI

### STAINLESS STEEL

Description	d1	l	d2	d3	h	m	r	
GN 708.1-M4-33-*-NI	M 4	33	8	8	10	2.2	6	13
GN 708.1-M4-43-*-NI	M 4	43	8	8	10	2.2	6	7
GN 708.1-M5-45-*-NI	M 5	45	10	9	11	2.7	8	10
GN 708.1-M5-55-*-NI	M 5	55	10	9	11	2.7	8	11
GN 708.1-M6-35-*-NI	M 6	35	13	12	12	3.2	10	13
GN 708.1-M6-55-*-NI	M 6	55	13	12	12	3.2	10	17
GN 708.1-M6-65-*-NI	M 6	65	13	12	12	3.2	10	19
GN 708.1-M8-43-*-NI	M 8	43	16	14	18	4	12	27
GN 708.1-M8-68-*-NI	M 8	68	16	14	18	4	12	34
GN 708.1-M10-50-*-NI	M 10	50	20	18	21	5	15	52
GN 708.1-M10-77-*-NI	M 10	77	20	18	21	5	15	65
GN 708.1-M10-97-*-NI	M 10	97	20	18	21	5	15	74
GN 708.1-M12-100-*-NI	M 12	100	25	23	24	6	18	109
GN 708.1-M12-130-*-NI	M 12	130	25	23	24	6	18	133

Weight type A

